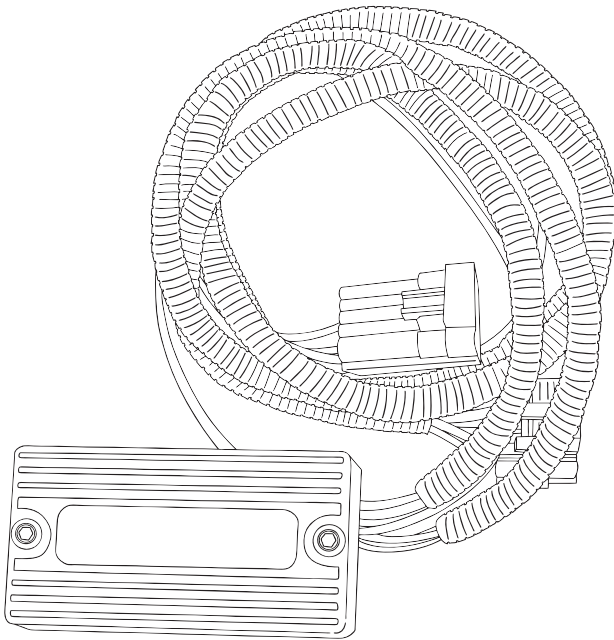


Pacific Performance Engineering, Inc.  
www.ppediesel.com



**2001-2007 Duramax LB7/LLY/LBZ**  
**DURAMINIMIZER**  
**INSTALLATION GUIDE**

## **DISCLAIMER OF LIABILITY**

This is a performance product can be used to increased horsepower above and beyond factory specifications. Additional horsepower creates more stress on the drivetrain components, which could result in drivetrain failure. Note: Legal in California only for racing vehicles which may never be used on the highway.

This agreement sets forth the terms and conditions for the use of this product. The installation of this product indicates that the Buyer has read and understands this agreement and accepts the terms and conditions.

Pacific Performance Engineering Inc., its distributors, employees, and dealers (the "Seller") shall not be responsible for the product's proper use and service. The buyer hereby waives all liability claims.

The Buyer hereby acknowledges no reliance on the Sellers skill or judgment to select or furnish goods suitable for any particular purpose and that there are no liabilities which extend beyond the description on the face hereof, and the Buyer hereby waives all remedies or liabilities expressed or implied, arising by law or otherwise (including without any obligation of the Seller with respect to fitness, merchantability and consequential damages), or whether or not occasioned by the Seller's negligence. The Seller disclaims any warranty and expressly disclaims any liability for personal injury or damages. The Buyer acknowledges and agrees that the disclaimer of any liability for personal injury is a material term for this agreement and the Buyer agrees to indemnify the Seller and to hold the Seller harmless from any claim related to the item of equipment purchased. Under no circumstances will the Seller be liable for any damages or expenses by reason of use or sale of any such equipment. The Seller assumes no liability regarding the improper installation or misapplication of its products. It is the installer's responsibility to check for proper installation and if in doubt contact the manufacturer.

The Buyer is solely responsible for all warranty issues from the manufacturer.

## **LIMITATION OF WARRANTY**

The Seller gives Limited Warranty as to description, quality, merchantability, and fitness for a particular purpose, productiveness, or any other matter of Seller's product sold herewith. The Seller shall not be responsible for the products proper use and service and the Buyer hereby waives all rights other than those expressly written herein. This warranty shall not be extended, altered or varied except by a written instrument signed by Seller and Buyer. The Warranty is limited to two (2) years from the date of sale and limited solely to the parts contained within the products kit. All products that are in question of Warranty must be returned prepaid to the Seller and must be accompanied by a dated proof of purchase receipt. All Warranty claims are subject to approval by Seller. Under no circumstances will the Seller be liable for any labor charged or travel time incurred in diagnosis for defects, removal, or reinstallation of this product or any other contingent expenses.

Under no circumstances will the Seller be liable for any damage or expenses incurred by reason of the use or sale of any such equipment. In the event that the buyer does not agree with this agreement: the buyer may promptly return this product, in a new and unused condition in its original packaging, with a dated proof of purchase to the place of purchase within ten (10) days from date of purchase for a full refund. The installation of this product indicates that the buyer has read and understands this agreement and accepts its terms and conditions.

**STEP 1**

Locate the throttle pedal harness connector, it is attached to the firewall in the engine compartment.

**STEP 2**

Remove the push-lock nut from firewall stud and then unplug the pedal harness.

**STEP 3**

Connect Duraminimizer module connectors A and B in series with throttle pedal harness connectors A and B.

**STEP 4**

Place the throttle pedal connector bracket on the firewall stud and install the push-lock nut.

**STEP 5**

Securely mount the Duraminimizer Module to a suitable location.

**STEP 6 (Optional)**

Grey Wire

When the grey wire is connected to +12 volts, the power reducer effect is defeated and normal engine power is available. (On/Off Switch is not supplied with Duraminimizer. Key type recommended).



PACIFIC PERFORMANCE ENGINEERING

Pacific Performance Engineering, Inc.  
303 N. Placentia Avenue  
Fullerton, CA 92831

[www.ppediesel.com](http://www.ppediesel.com)  
[sales@ppediesel.com](mailto:sales@ppediesel.com)  
Phone: (714) 985-4825  
Fax: (714) 985-9907